

Masport[®] Heating

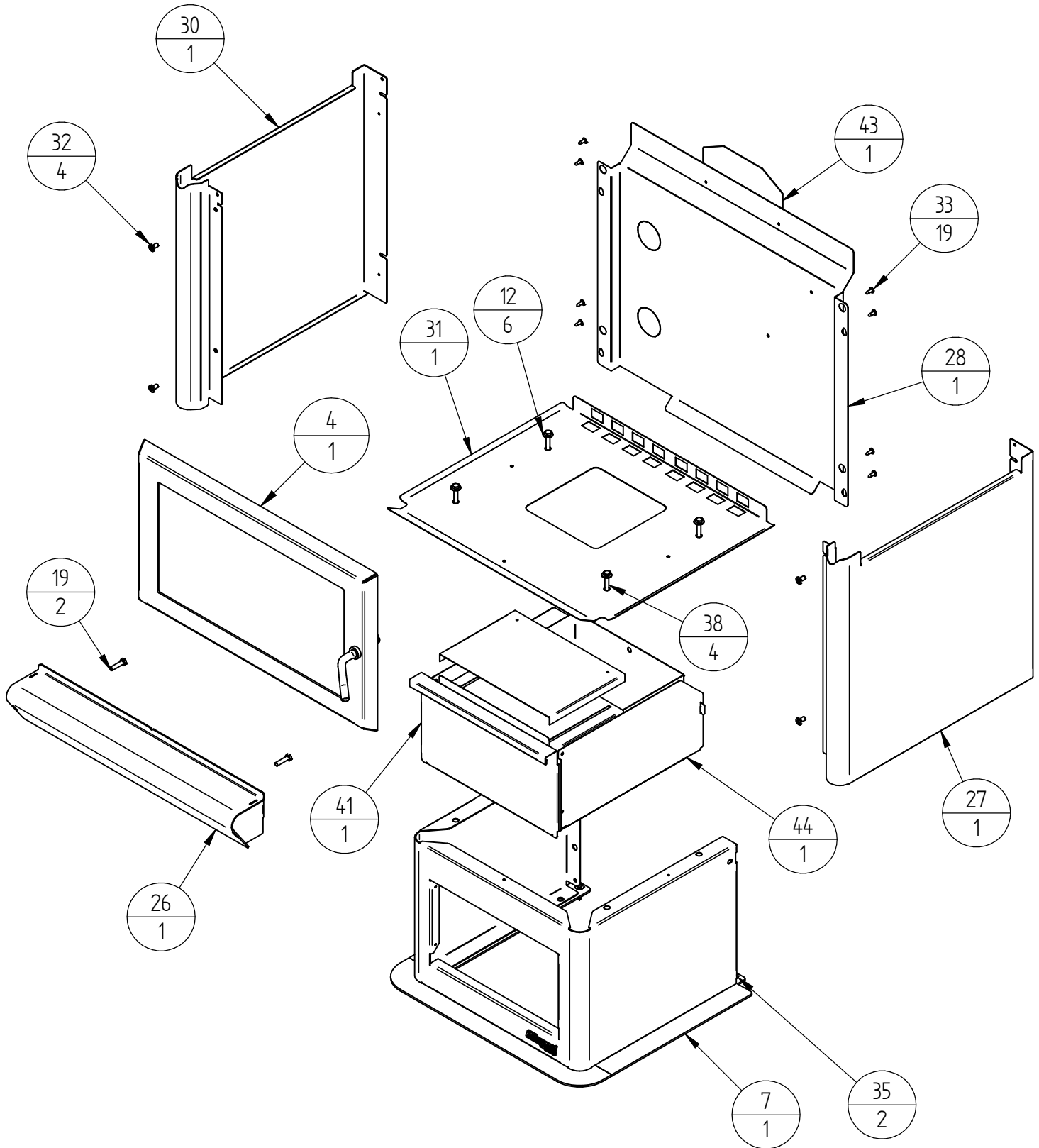
FREESTANDING WOOD FIRES

R3000 - NEW ZEALAND

Item No.	MARKET	FUEL TYPE	FINISHING	YEAR	FAN
992932 (ASH)	NZ	SOFTWOOD	METALLIC BLACK VHT PAINT	DEC-2018	N/A
992941 (RURAL ASH)					



PANELS, DOOR AND PEDESTAL (ASH)

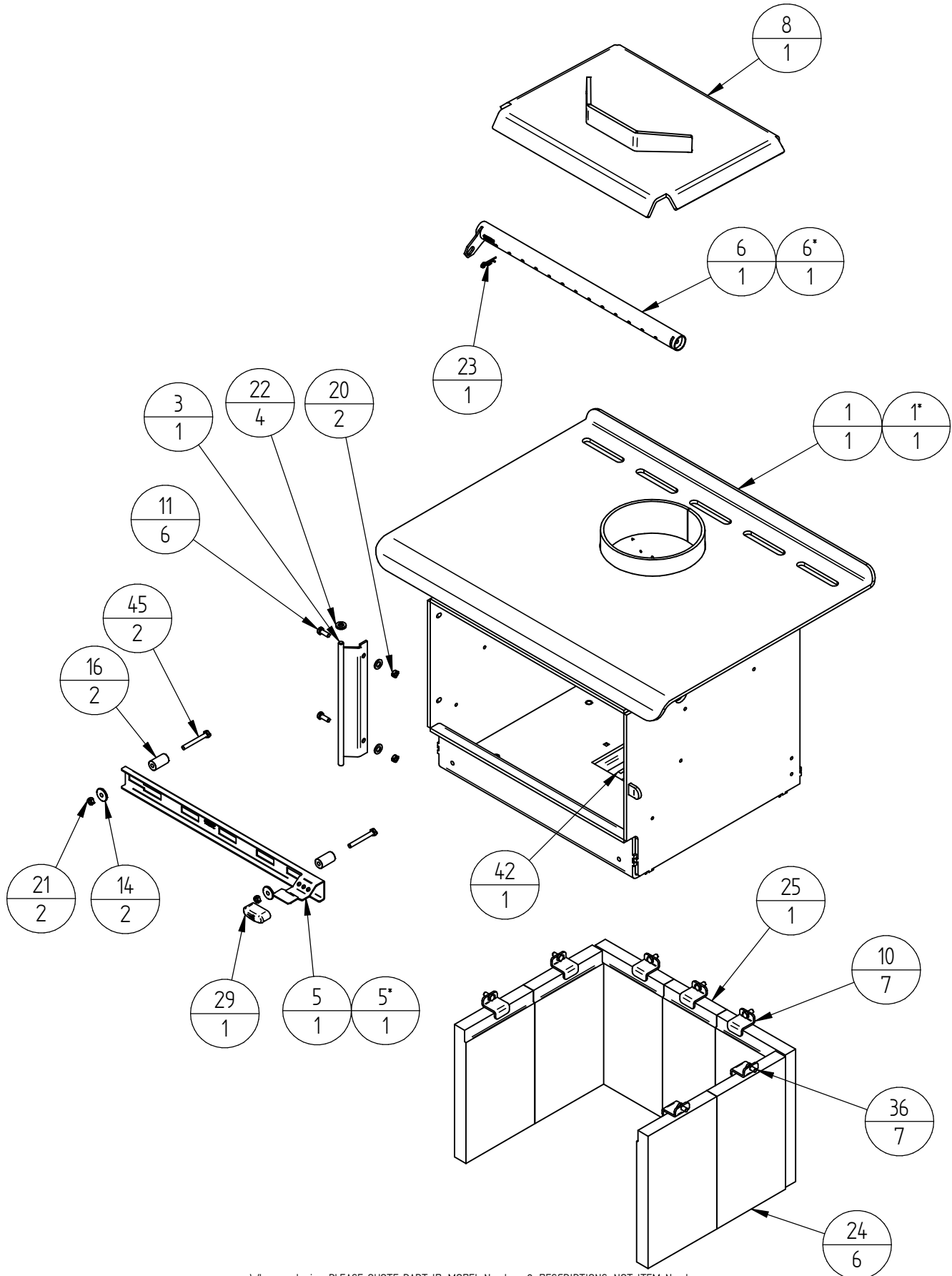


When ordering PLEASE QUOTE PART ID, MODEL Number & DESCRIPTIONS, NOT ITEM Number
determining left hand side from viewing position

Item Number	File Name	992932(Model)	992941 (Model)	Title	Quantity
4	992176			R3000 DOOR COMPLETE ASSY	1
7	992261	V02	V02	R3000 PEDESTAL WELDED ASSY	1
12	523019			WASHER; FLAT 5/16"X5/8"X18G ZP	6
19	521057			SCREW; M6X25 HEX ST	2
26	992222	V02	V02	R3000 ASHLIP SUB	1
27	992221	V02	V02	R3000 R/H SIDE PANEL	1
28	992226	V02	V02	R3000 REAR PANEL	1
30	992220	V02	V02	R3000 L/H SIDE PANEL	1
31	992264			R3000 BASE H/S ASH CHUTE	1
32	521045			SCREW; M6X10 PAN POZI BLK	4
33	521645			SCREW; S/T 8GX1/2" MUSH FLANGE	19
38	521077			SCREW; M6X40 HEX ZP	4
41	983248	V02	V02	R5000 ASH DRAWER ASSY	1
43	992249	V02	V02	R3000 REAR PANEL PLATE	1
44	992259	V02	V02	R3000 PED ASH DRAWER SUPPORT	1

When ordering PLEASE QUOTE PART ID, MODEL Number & DESCRIPTIONS, NOT ITEM Number
determining left hand side from viewing position

AIRSLIDE, BAFFLE, BRICKS AND FIREBOX



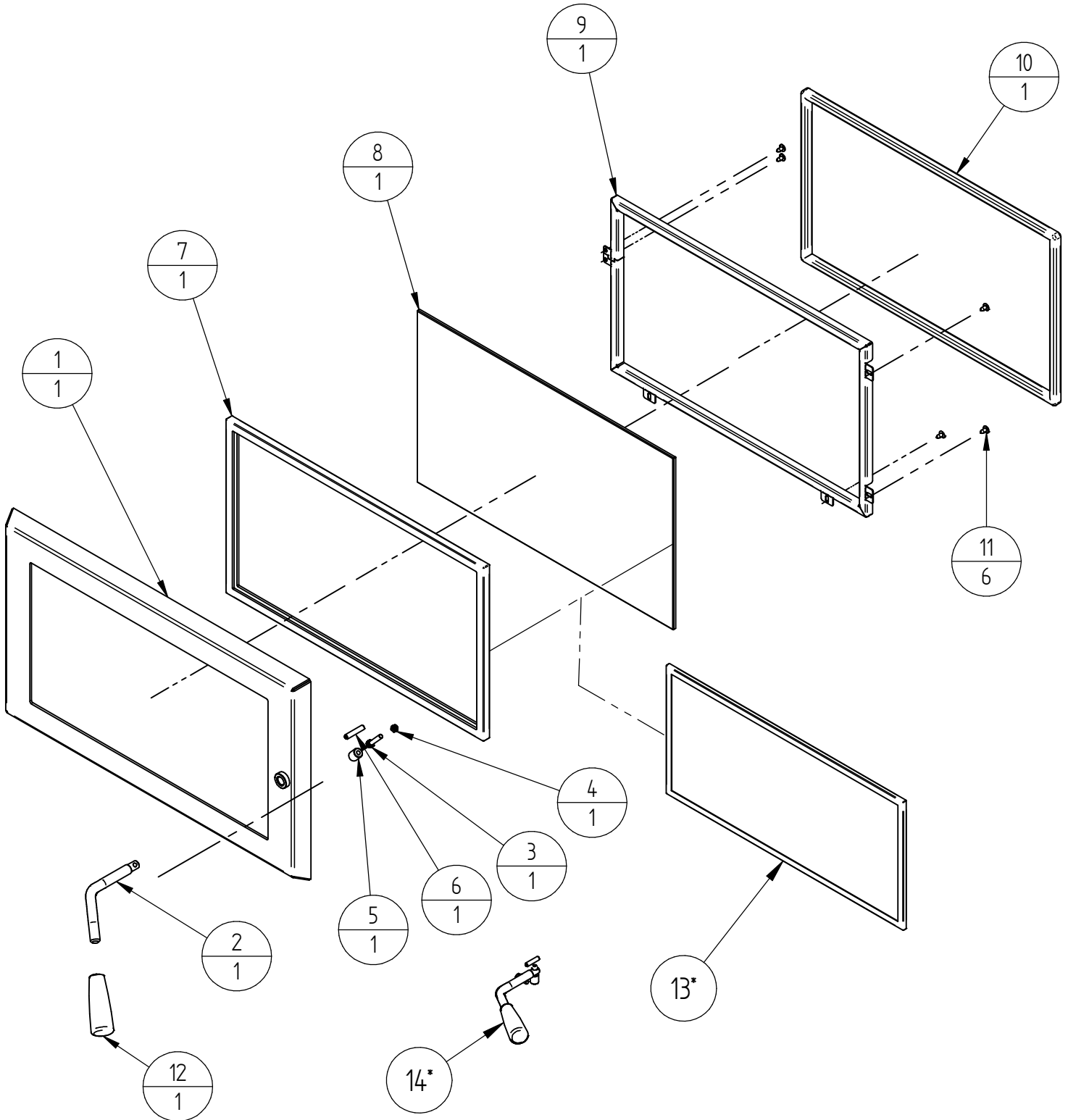
When ordering PLEASE QUOTE PART ID, MODEL Number & DESCRIPTIONS, NOT ITEM Number
determining left hand side from viewing position

Item Number	File Name	992932 (Model)	992941 (Model)	Title	Quantity
1	992260		N/A	R3000 ASH CHUTE F/B ASSEMBLY	1
1*	992256	N/A		R3000 RURAL ASH PED FIREBOX COMPLETE	1
3	992208			R3000 HINGE ASSEMBLY	1
5	992172		N/A	R3000 AIRSLIDE	1
5*	992238	N/A		R3000 RURAL AIR SLIDE	1
6	992200		N/A	R3000 AIR TUBE ASSEMBLY	1
6*	992239	N/A		TUBE-SEC AIR 25.4 DIA R3000 RURAL	1
7	992261			R3000 PEDESTAL WELDED ASSY	1
8	992189			R3000 BAFFLE ASSEMBLY	1
10	HBA00118			HBA BRICK RETAINER	7
11	521076			SCREW; M6X16 HEX ZP	6
14	MIC00083			LOGAIRE METRO AIR SLIDE SPACER	2
16	MIC00129			MIC AIR DEFLECTOR BUSH	2
20	522107			NUT; HEX STD M6 BLK	2
21	522117			NUT; HEX STD M6 ZP	2
22	523018			WASHER; FLAT 5/16"X5/8" X16G BLK	4
23	526101			CLIP; R-CLIP 1.8 DIA ST	1
24	MIC00354			MIC BRICK	6
25	592206			R3000 BRICK 25 X 115 X 250	1
29	593568			AIR SLIDE KNOB PUSH ON	1
36	521075			SCREW; M6X12 HEX ZP	7
42	983019	V02	V02	PLUG SHEET METAL	1
45	521061			SCREW; M6X50 HEX ZP	2

* NZ RURAL FIRE PARTS

When ordering PLEASE QUOTE PART ID, MODEL Number & DESCRIPTIONS, NOT ITEM Number
determining left hand side from viewing position

DOOR ASSEMBLY



When ordering PLEASE QUOTE PART ID, MODEL Number & DESCRIPTIONS, NOT ITEM Number
determining left hand side from viewing position

DOOR ASSEMBLY - 992176					
Item Number	File Name	Model (s)			Quantity
		992932	992941	Title	
1	992174	V02	V02	R3000 WELDED DOOR ASSEMBLY	1
2	KRR00373			KRR DOOR LEVER	1
3	521805			SCREW; CAP M5X25 ALLEN BLK	1
4	522901			NUT; BINX M5 ZP	1
5	PYR00461			PYR HANDLE ROLLER	1
6	521706			SCREW; GRUB M6X25 ALLEN BLK	1
7	C25MMLT			GLASS FIBRE TAPE 25x3x50m ROLL (MTR)	1.45 MTR
8	592175			R3000 GLASS	1
9	992182			R3000 GLASS RETAINER	1
10	C14MMDR			R3000 DOOR ROPE	1.45 MTR
11	521627			SCREW; S/T 8GX3/8" MUSH FLANGE POZI BLK	6
12	PYR00376			PYR DOOR HANDLE	1
13*	792175			R3000 GLASS/TAPE SPARE KIT	1
14*	PYREDH*			PYRE DOOR HANDLE ASSEMBLY	1

*Optional Sale Kit

When ordering PLEASE QUOTE PART ID, MODEL Number & DESCRIPTIONS, NOT ITEM Number
determining left hand side from viewing position

NOT ILLUSTRATED						
Item	Part ID	Model(s)			Descriptions	Qty
		992930	992931	992941		
1	593286	-	-	-	OWNER MANUAL WOODFIRES 2010	1
2	593287	-	-	-	INSTALL MANUAL WOODFIRES 2010	1
3	592212	-	-	-	R3000 DATA SHEET	1
4	592214	-	-	-	R3000 BRICK LAYOUT	1
5	951515	-	-	-	CEILING PLATE 150MM 345X345 S/S	1

SURFACE FINISH CODES FOR PANELS					
VHT PAINT(Very High Temp)			POWDER COAT		
V02	P-000022	METALLIC BLACK	P02	MATT BLACK	
			P08	MANNEX BLACK	

When ordering PLEASE QUOTE PART ID, MODEL Number & DESCRIPTIONS, NOT ITEM Number
determining left hand side from viewing position